

# WPFG ARCHERY – 2025 – Page 1

## **GUIDING BODIES**

World Police & Fire Games Federation (WPF GF)  
7944 Convoy Ct., San Diego, CA 92111 USA  
Tele. (858) 571-9919; E-Mail: [4info@cpaf.org](mailto:4info@cpaf.org)

World Archery (WA)

Maison du Sport International, Avenue de Rhodanie 54, 1007 Lausanne, CHE  
Tele. +41.21.614.3050; FAX: +41.21.614.3055  
E-mail: via contact form worldarchery.sport/contact

## **EVENTS:**

**INDIVIDUAL: MEN & WOMEN: 18+, 50+, 60+, 70+**

Age is determined as of the first day of the Games: July 28, 2023.

Each competition is a separate tournament with awards in each of the following IFAA Bow Style classes;

BAREBOW COMPOUND	FREESTYLE LIMITED RECURVES
FREESTYLE LIMITED	FREESTYLE UNLIMITED
BOWHUNTER	BOWHUNTER FREESTYLE UNLIMITED
BOWHUNTER FREESTYLE LIMITED	TRADITIONAL

**NOTE:** Freestyle classes allow mechanical releases. Freestyle Limited classes prohibit the use of release aids. The maximum bow weight in all classes is 60 lbs. (27.22 kg)

1. **TARGET ARCHERY** (WPFG/WA/IFAA Rules)

Consists of one 900 Round. 30 arrows (Five-6 arrow ends) shot at each distance of 60m (65.61 yds), 50m (54.68 yds) and 40m (43.74 yds). All shot on a 122cm (48”) target face. Practice targets will be available on the morning of the competition.

2. **FIELD ARCHERY COMPETITION** (WPFG/WA/IFAA Rules)

Consists of one 24 Mixed WA Field Round. (Host may increase the number of targets to 32 to accommodate additional athletes.) Practice targets will be available on the morning of the competition.

3. **3-D ROUND** (WPFG/WA/IFAA Rules)

## **WPFG ARCHERY – 2025 – Page 2**

Consists of one 25 Target Round with “life-sized” animal targets. Practice targets will be available on the morning of the competition.  
Host reserves the right to combine bow classes where participant numbers are low.

**Entry Deadline:** June 25, 2025

## WPFG ARCHERY – 2025 – Page 3

Bow Class No.	1	2	3	4	5	6	7	8
Bow Class	Barebow Compound	Freestyle Limited Recurve	Freestyle Limited	Freestyle Unlimited	Bowhunter	Bowhunter Freestyle Unlimited	Bowhunter Freestyle Limited	Traditional
Bow Class Abbreviation	BBC	FSR	FSC	FU	BH	BFU	BFL	T
Arrow Speed: <300 ft/sec (91.5 m/s)	!	!	!	!	!	!	!	!
<=12 Inch, 305mm, Stabilizer	!	!	!	!	!	!	!	
>12 Inch Stabilizer	!	!	!	!				
Sliding Sight		!	!	!				
Scope		!	!	!				
Level	!	!	!	!				
Clicker	!	!	!	!				

## WPFG ARCHERY – 2025 – Page 4

Bow Class No.	1	2	3	4	5	6	7	8
Bow Class	Barebow Compound	Freestyle Limited Recurve	Freestyle Limited	Freestyle Unlimited	Bowhunter	Bowhunter Freestyle Unlimited	Bowhunter Freestyle Limited	Traditional
Bow Class Abbreviation	BBC	FSR	FSC	FU	BH	BFU	BFL	T
1-3 Pin Sight		!	!	!				
4-5 Pin Sight		!	!	!		!	!	
Arrow Rest	!	!	!	!	!	!	!	
Peep Sight		!	!	!		!	!	
Kisser Button	!	!	!	!	!	!	!	
Fixed Nock Locators	!	!	!	!	!	!	!	!
Release Aid				!		!		
Tab or Glove	!	!	!	!	!	!	!	!
String Silencer	!	!	!	!	!	!	!	
Plastic Vanes	!	!	!	!	!	!	!	
Feather Vanes	!	!	!	!	!	!	!	!

## WPFG ARCHERY – 2025 – Page 5

Bow Class No.	1	2	3	4	5	6	7	8
Bow Class	Barebow Compound	Freestyle Limited Recurve	Freestyle Limited	Freestyle Unlimited	Bowhunter	Bowhunter Freestyle Unlimited	Bowhunter Freestyle Limited	Traditional
Bow Class Abbreviation	BBC	FSR	FSC	FU	BH	BFU	BFL	T
Stringwalking	!	!	!	!				!
3 Fingers Below, Index Finger to touch arrow	!	!	!	!	!	!	!	!
Mediterranean Split Release	!	!	!	!	!	!	!	!
Carbon/Aluminum Arrows	!	!	!	!	!	!	!	
Wooden Arrows								!
			Allowed but not seen as standard	Either/or, Not Both	Level and Clicker not above Arrow			

# WPFG ARCHERY – 2025 – Page 6

## **PARTICIPANTS**

Athletes can now compete in any Bow Class in each of the three events.

## **EQUIPMENT**

### **Targets**

**Target Competition:** 122cm (48”) round multi-colored targets are required. One target for every four (4) competitors. Targets and range are to be laid out in compliance with WA rules.

**Field Competition:** Targets and range for Field Round must conform to WA (or national/state affiliate) rules & laid out as directed. Field competition targets are to be prepared with stiff backing.

**3-D Competition:** 3-D “life-size” animal targets to WA rules.

**Target Pins:** Metal pins of sufficient length and strength to affix target faces to the butt.

**Scorecards:** A different type score card is used for each round. Copies of the score card should be available on the Games website a minimum of three (3) months prior to the competition.

**Pens:** All scorecards must be marked in blue or black ink.

**Target Butts:** Paper faces must be glued to cardboard backing for the Field Round and bear the WA license number of the manufacturer.

## **BRACKETING**

**Point System Bracket:** *See Bracketing Rules.* All bracketing must meet WPFG rule requirements.

## **SCORING**

Scoring shall be in accordance with the WPFG/WA rules in existence at the time of the competition. The total score of each bow class in each event will be collected for ranking.

## **GENERAL SPORT RULES for Archery**

**INSPECTION:** All equipment, including competitor’s personal equipment, must be to the satisfaction of the appropriate Tournament Chairperson prior to commencement of competition.

## WPFG ARCHERY – 2025 – Page 7

**Order of Shooting:** Only one competition is to be shot each day. It is recommended that the 900 Round be shot on the first day, however, any order is permissible.

There shall be no break in shooting for lunch (except the WA 900 Round) or any non-emergency reason, unless weather conditions would dictate a break in shooting is necessary for safety.

A competitor may enter one, two, or all three competitions and may elect to use the same equipment or change classes for different competitions.

Each competition is a separate tournament and is scored separately.

**Range Conditions:** Care should be taken to see that all bales or target butts are tightly banded so that arrows will not leak through.

**Practice Targets:** Practice shall not be allowed on the competition field of the Field Round. For the Target Archery Range, competitors may practice on the competition range.

Practice on the day of the competition shall take place on the tournament range.

- This practice shall be for a minimum of twenty (20) minutes and a maximum of 45 minutes on the day(s) of competition.
- Practice ends with the pulling of the practice arrows.
- The practice targets shall be set up at the first distance to be shot by each class.

Practice may be arranged the day prior to the first competition day on the Target Archery Range. Officials and medical personnel must be present.

No alcoholic beverages may be carried or consumed on any range or practice area by anyone during shooting hours. WPFGF rules apply.

Any archer drawing a bow with the bow hand above the top of the head, when drawing on a horizontal plane, shall be immediately disqualified from further use of the range, whether it is for practice or competition. The judgment of any official making the will be final.

### **COURSE OF FIRE**

#### **TARGET ROUND-WA 900**

- 1) The round shall consist of one 900 Round: 30 arrows (Five-6 arrow ends) shot at each distance of 60m (65.61 yds), 50m (54.68 yds) and 40m (43.74 yds).

## WPFG ARCHERY – 2025 – Page 8

### 2) Target Face

- a) The diameter of the target face is 122cm (48"). (Freestyle unlimited compounds may chose a half target).
- b) The line marking the outermost edge of the white shall not exceed 2mm in width and shall be entirely within the scoring zone.
- c) The target face is divided as follows:
  - i) Each color zone is divided into two zones of equal radial width.
  - ii) The resulting central zone is further divided in two zones of equal radial width.
  - iii) The dividing lines shall not exceed 2mm in width and shall be entirely within the higher scoring zone.
  - iv) The center of the gold is termed the spin hole and shall be marked with a small cross, the lines of which shall not exceed 2mm in width.
  - v) Tolerances on the diameter of each scoring zone on both target faces are permitted as follows:
    - (1) Gold Zones and Inner Red Zone-} 1mm
    - (2) All other zones-} 3mm

Recurve and barebow/traditional archers will shoot at the full 122cm target.

Compound (freestyle unlimited) archers will have a choice of shooting on either the full target or on a target with only the yellow and red. On the half-size target, one or two archers will be on each target.

### SCORING ZONES

<b>ZONE</b>	<b>COLOR</b>	<b>POINTS</b>
Inner 10		Record as X, 10
Inner Gold		10
Outer Gold		9
Inner Red		8
Outer Red		7
Inner Blue		6
Outer Blue		5
Inner Black		4
Outer Black		3
Inner White		2

## WPFG ARCHERY – 2025 – Page 9

Outer White		1
----------------	--	---

- 3) There is a time limit for an athlete to shoot an end
  - a) The maximum time permitted for an athlete to shoot an end of six arrows is four (4) minutes.
  - b) An arrow shot before the start signal or after the stop signal shall cause an athlete to lose the highest scoring arrow of that end which shall be scored as a miss.
  - c) Any athlete that releases an arrow, intentionally or otherwise during a non-shooting phase (after practice session is closed, before shooting starts, during breaks between distances or rounds) will lose the highest scoring arrow of the next shooting end. The scorekeeper shall enter the values of all arrows of that end, but the highest scoring arrow shall be forfeited. This entry on the scorecard must be initialed by a judge and the penalized athlete.
- 4) **Equipment Failure**
  - a) In the event of an equipment failure, verified by a judge, or a medical issue, verified by medical personnel, extra time may be given to make the necessary repairs, change the damaged equipment or for medical personnel to determine the problem and decide whether the athlete is fit to continue competing unassisted. However, the maximum time for makeup arrows to be shot is fifteen (15) minutes (following regular order of shooting and timing). The athlete shall make up the appropriate number at the earliest opportunity under the supervision of a Judge. **In the event of an equipment failure, the athlete must call a Judge while stepping back from the shooting line.**
    - i) The order of shooting may be changed temporarily for the purpose of an equipment repair or for medical treatment.
- 5) Athletes may not raise the bow arm until the signal to start shooting is given.
- 6) Except for persons with disabilities, athletes shall shoot from a standing position and without support, with their body above the shooting line.
- 7) Under no circumstances may an arrow be re-shot. An arrow may be considered not to have been shot if:
  - a) The arrow falls from the bow or is mis-shot, and a part of the arrow shaft lies within the zone between the shooting line and the 3m line and provided the arrow has not rebounded.
  - b) The target face or butt blows over. The Judges shall take whatever measures they deem necessary and compensate adequate time for shooting the relevant number of arrows. If the butt only slides down, it shall be left to the Judges to decide what action to take, if any.

## **WCFG ARCHERY – 2025 – Page 10**

- 8) No athlete may touch the equipment of another without consent. Serious cases may lead to penalties being applied.
- 9) Smoking is prohibited in or in front of the athlete's area.
- 10) The Director of Shooting shall be advised if an athlete uses any technique in drawing back the string of their bow that could allow the arrow to fly beyond a safety zone or safety arrangements. If an athlete persists in using such a technique, they shall in the interest of safety, be asked to stop shooting immediately and leave the field.
- 11) No athlete may draw their bow, with or without an arrow, except when standing on the shooting line. If an arrow is used, the athlete shall aim toward the target butts, but only after being satisfied that the range is clear both in front of and behind the target butts.

### **ORDER OF SHOOTING AND TIMING CONTROL-TARGET ARCHERY**

- 1) One, two or three athletes may shoot on the same target butt simultaneously.
  - a. If four athletes shoot in pairs on a target butt, the rotation shall AB-CD, CD-AB, AB-CD, etc.
  - b. Position on the shooting line will be assigned by the tournament committee

### **VISUAL AND ACOUSTIC TIME CONTROL**

- 1) Shooting will be controlled by a timing system
  - a. The clock is set for 4 minutes, 10 seconds. Two beeps will sound giving archers 10 seconds to go to the shooting line.
  - b. A single beep indicates shooting to begin at 4:00. Archers should leave the line when they have finished shooting.
  - c. When the clock reaches 0:00, two beeps will sound for the second line to go to the target and a single beep after 10 seconds to begin shooting.
  - d. When the clock reaches 0:00, three beeps will indicate advancing to the target to score and pull arrows.
- 2) No athlete shall occupy the shooting line except when the appropriate signal has been given.
  - a. 10 seconds shall be allowed for the athletes to leave and the next designated athletes to occupy the shooting line. This will be indicated by two sound signals.
- 3) If shooting is suspended during an end for any reason, the time limit shall be adjusted.
  - a. 40 seconds shall be given for each arrow.
  - b. An athlete arriving after shooting has begun shall forfeit the number of arrows already shot, unless the Sport Coordinator or their designee,

## WCFG ARCHERY – 2025 – Page 11

is satisfied that the athlete was delayed by circumstances beyond their control. In this case, the athlete shall be allowed to make up the lost arrows after the distance then being is completed, but under no circumstances may that be more than twelve (12) arrows.

- 4) While shooting is in progress, only those athletes whose turn it is to shoot or who have a classified disability may be on the shooting line.
  - a. All other athletes, with their equipment, shall remain behind the waiting line. After an athlete has shot their arrows, they shall immediately retire behind the waiting line. The athlete may leave the spotting scope on the shooting line between ends providing it does not create an obstacle for any other athlete.

### **SCORING-TARGET ROUND**

- 1) Neither the target nor the arrow shall be touched until scoring is completed.
  - a. Targets will be scored in groups of 3 or 4 archers. If there are less than 3 archers on a target, they may be combined with another target.
  - b. Within the scoring group, one archer will call the arrow values for each archer, high value to low value.
  - c. Two archers will record the arrow values on separate scorecards. The arrow values will be totaled, and the running total added by each scorer, then compared.
  - d. If there is a disagreement concerning the value of an arrow, the Judge makes the final decision.
  - e. Athletes with disabilities may have an Agent to assist with scoring and pulling arrows if they cannot go to the target.
  - f. Each arrow hole shall be marked before the arrow is pulled out.
- 2) An arrow shall be scored accordingly to the position of the shaft in the target face. If the shaft of an arrow touches two colors, or touches any dividing lines between two scoring zones, that arrow shall score the higher of the two zones involved.
  - a. If more than the required number of arrows should be found in the target butt, on the ground near the butt, or in the shooting lanes, only the lowest six in value shall be scored. Athletes found to repeat this offence may be disqualified.
  - b. If a fragment of a target face is missing, including the dividing line or where two colors meet, or if the dividing line is pushed aside by an arrow, a line judge will determine the value of the arrow.
  - c. All arrow holes in the scoring zone shall be suitably marked by the athlete every time the arrows are scored and drawn from the target face by 2 marks at 12 & 3 o'clock.

## WPFG ARCHERY – 2025 – Page 12

- d. Arrows embedded in the butt and not showing on the face can only be scored by a judge.
  - e. A rebound arrow (an arrow hitting the target butt and rebounding or hanging from the target), shall score according to the mark it makes on the target face, provided that all the other arrow holes have been marked and an unmarked hole or mark can be identified.
  - f. When a rebound or hanging arrow occurs, all athletes on that target butt shall stop shooting, but remain on the shooting line, calling a judge. When all athletes on the shooting line for that end have finished shooting their arrows or the time limit has expired (whichever is appropriate), the Director of Shooting will pause the tournament. The athlete with the rebound or hanging arrow shall go to the target butt together with the judge who will decide the point of impact of the rebound arrow or determine the value of the hanging arrow, note the value, remove the hanging arrow and mark the hole. The judge must later participate in scoring that end. The rebound or hanging arrow must be left behind the target butt until the complete end has been scored. When the field is clear, the Director of Shooting may give the signal for those athletes on the target butt where the rebound or hanging arrow occurred to continue shooting. Those athletes must then complete their end of three or six arrows before general shooting or scoring is resumed.
  - g. An arrow hitting the target butt and passing completely through the butt shall score according to the value of the unmarked hole in the target face, provided all arrow holes have been marked and provided an unmarked hole can be identified.
  - h. An arrow that hits another arrow in the nock and remains embedded therein shall score the same value as the arrow struck.
  - i. An arrow that hits another arrow deflecting into the target face shall score as it lies in the target face.
  - j. An arrow that hits another arrow then rebounding shall score the value of the struck arrow, provided the damaged arrow can be identified.
  - k. An arrow that hits a target face other than the athlete's own target face shall be considered part of that end scored as a miss.
  - l. An arrow hitting outside the outermost scoring zone of the target face shall score as a miss.
  - m. A miss shall be recorded as "M" on the scorecard.
- 3) The Director of Shooting shall see that, wherever possible following scoring, no arrows are left in the target butts before any signal is given to continue shooting.

## WPFG ARCHERY – 2025 – Page 13

- a. If arrows are accidentally left in the target butt, the shooting shall not be interrupted. An athlete may shoot that end with other arrows or make up the arrows lost after shooting over that distance has been completed. A judge must participate in the scoring of that end, making sure that the arrows which have remained in the target butt from the previous end were entered in the athlete's scorecard before any arrows are withdrawn from the target butt.
- b. In the event of an athlete leaving arrows, they may use others provided a judge is informed before shooting begins.
- 4) At the completion of the competition, scorecards must be signed by the scorer and the athlete, indicating that the athlete agrees with the value of each arrow, the sum total, the number of 10s and the number of Xs. If the scorer is also the archer, their scorecard must be signed by another athlete in the scoring group.
  - a. Each target will have two scorecards, one of which may be electronic. If there is a discrepancy in the arrow values between an electronic and a paper scorecard, the paper card will take precedent.
  - b. The organizers are not required to accept or record scorecards that are incomplete and/or missing a signature.
  - c. The organizers or officials are not required to verify the accuracy of any submitted scorecard, however, if the organizers or the officials note an error, they will correct such error and the result as corrected will stand. Any such corrections must occur before the next stage of competition. Should a discrepancy be found in the sum total where: two paper scorecards were used, the sum total of the lower arrow scores will be used for the final result.
- 5) In the event of a tie, the ranking of the results shall be determined in the following order:
  - Greatest number of 10s (including inner 10s)
  - Greatest number of Xs (inner 10s)
  - Scores still tied shall remain ties
- 6) At the end of the tournament, the Organizing Committee shall publish complete results lists.

### **PRACTICE**

- 1) Practice on the day of the competition shall take place on the tournament range.
  - Practice shall be for a minimum of 20 minutes and a maximum of 45 minutes on the day(s) of Competition.
  - The practice targets shall be set up at the first distance to be shot by each class.

# WPMF ARCHERY – 2025 – Page 14

## **QUESTIONS & DISPUTES**

- 1) Any athlete on the target butt shall refer any questions about the value of an arrow in the target face to a judge before any arrows are drawn.
  - a. A mistake in the recording of arrow values shall be corrected by the judge before the arrows are pulled.
  - b. Should range equipment be defective or a target face become unreasonably worn or otherwise damaged, an athlete may appeal to the judges to have the defective item replaced or remedied.
- 2) Questions concerning the conduct of the shooting, or the conduct of an athlete shall be lodged with the judges before the next stage of the competition.
  - a. Questions regarding any published results shall be lodged with the judges without any undue delay and in any event shall be lodged in time to allow corrections to be made before the medals presentation.

## **APPEALS**

- 1) In the event an athlete is not satisfied with the ruling given by the judges, they may appeal to the Jury of Appeal, except as provided for in Questions & Disputes above.
- 2) Medals which may be affected by a dispute shall not be awarded until a ruling has been given.
  - a. The decision by the judge on the value of an arrow before the withdrawal from the target face is final.
  - b. The decision of the Jury of Appeal is final and cannot be appealed.

## **FIELD ROUND COMPETITION**

### **MIXED ROUND**

This course will be comprised of marked and unmarked targets at various distances in accordance with the table below.

### **NUMBER OF ARROWS AND TIME LIMIT**

Three (3) arrows will be shot in all rounds.

Three (3) minute time limit per target. Time begins when competitor takes their position at the shooting peg.

### **Unit for Marked Course**

<b># of targets</b>	<b>Diameter of Field Faces (cm)</b>	<b>Blue Post (m)</b>	<b>Red Post (m)</b>
3	20	5-10-15	10-15-20

## WPCG ARCHERY – 2025 – Page 15

3	40	10-20-25	20-25-30
3	60	30-35-40	35-40-45
3	80	40-45-50	50-55-60

### Unit for Unmarked Course

# of targets	Diameter of Field Faces (cm)	Blue Post (m)	Red Post (m)
4	20	5-10	10-15
4	40	10-20	15-25
4	60	15-30	20-35
4	80	30-45	35-55

- 1) Each athlete must shoot from the shooting peg without compromising safety.
- 2) The organizers shall assign the target at which each group will start shooting.
- 3) In Field, the athlete can stand or kneel up to approximately 1m in any direction beside or behind the shooting peg, taking into consideration the condition of the terrain. In exceptional circumstances, a judge may give permission to shoot from outside the defined area. Every shooting position shall have a shooting peg or mark to accommodate at least two athletes.
- 4) Athletes within a group waiting for their turn to shoot must wait well behind the athletes in the shooting position unless they are assisting the athletes at the shooting peg with shading. (Athletes must not cross the target waiting number.)
- 5) Athletes may use binoculars to examine the target prior to shooting and at the shooting peg before shooting the arrow. The use of binoculars is allowed after the arrow is shot.
- 6) No athlete may approach the target until all athletes of the groups have finished shooting unless given permission by a judge.
- 7) Under no circumstances may an arrow be re-shot. An arrow will not be considered shot if:
  - a. The athlete can touch it with their bow without moving their feet from their position.
  - b. The arrow has not rebounded.
  - c. The target face falls over.

The judges shall take whatever measures they deem necessary and permit time for shooting the relevant number of arrows. If the target or butt only slides down, it shall be left to the judges to decide what action, if any, to take.

- 8) No athlete may disclose the target distances on unmarked courses during the tournament.

## WCFG ARCHERY – 2025 – Page 16

- 9) There is to be no discussion of distances among the athletes of a group until the target has been scored.

### GENERAL ORDER OF SHOOTING AND TIMING CONTROL

- 1) Should the number of athletes exceed the normal capacity of the course, additional groups must be formed and placed in the field as is convenient. Additional groups assigned to a target must wait until the primary group on that target has shot and scored their arrows before proceeding.
- 2) The athlete's number is to be prominently displayed on the athlete's quiver or thigh and must be visible from behind the shooting post at all times while shooting is in progress. Athletes shall be allocated targets and shooting positions according to their order of draw and subsequent placement from the top to the bottom on the start list.
- 3) In case of equipment failure, the order of shooting may be temporarily changed. In any case no more than 30 minutes shall be allowed to repair any equipment failure. The other athletes in that group shall shoot and score their arrows before allowing any following groups to shoot through. If the repair is completed within the time limit, the athlete in question may make up any arrows remaining to be shot on that target. If the repair is completed later, the athlete may rejoin their group[ but shall lose the arrows their group has shot in the meantime.
- 4) In the case of an athlete being unable to continue shooting because of a medical reason which occurred after the beginning of the shoot, the same provisions apply.
- 5) Athletes in a group may allow other groups to shoot through, provided the organizers or the judges are notified about the change.
- 6) When an athlete, or a group of athletes, is causing undue delay for that group or for other groups, the judge observing this shall warn the athlete or group with a first written warning on the scorecard, after which they or a fellow judge may time the athlete or group throughout the remainder of that round of the competition.
- 7) A time limit of three (3) minutes per target shall be allowed from the time the athlete takes their position at the shooting peg.
  - a. A judge, having observed an athlete exceed the time limit despite the above procedure, shall caution them verbally and give a second written warning indicating the time and date of the warning.
  - b. At the third and subsequent warnings during that stage of the competition, the athlete shall lose the highest scoring arrow at the target.
- 8) The time limit may extended in exceptional circumstances.
- 9) No shooting shall be allowed after the time limit has expired.

## WPFG ARCHERY – 2025 – Page 17

- 10) If an athlete shoots an arrow after the judge has stopped the shooting, the athlete shall lose the highest scoring arrow at the target.
- 11) Athletes shall shoot in groups of no more than four, but never fewer than 3. Groups should be in even numbers as much as possible.
- 12) Each group shall shoot in pairs, rotating as follows:
  - a. The Organizing Committee shall assign shooting positions.
  - b. The first pair (with lowest athlete number(s)) shall start the shooting on the first target assigned to the group.
  - c. The other pair shall start shooting at the next target. The pairs will then rotate shooting at all subsequent targets throughout the competition.
  - d. If all athletes of the group agree, they may change the above arrangement, pairing or shooting position.
- 13) If there are three athletes in a group, the first two athletes on the start list (lowest athlete numbers) shall form the first pair, the third athlete shall be considered to be the second pair concerning rotation. They shall always shoot from the left side of the shooting peg.
- 14) Should there be sufficient room at a shooting peg, all athletes in the group may shoot at the same time.
- 15) Shooting at the blocks of 40cm faces:
  - a. The four faces shall be placed in the form of a square.
  - b. Of the pair of athletes whose turn it is to shoot first, the athlete on the left shall shoot at the top left-hand face, while the athlete on the right shall shoot at the top right-hand face. Of the pair of athletes whose turn it is to shoot second, the athlete on the left shall shoot at the lower left-hand face, while the athlete on the right shall shoot at lower right-hand face.
- 16) Shooting at the blocks of 20cm faces:
  - a. Of the pair of athletes whose turn it is to shoot first, the athlete on the left shall shoot at the faces in column 1, while the athlete on the right shall shoot at faces in column 3. Of the pair of athletes whose turn it is to shoot second, the athlete on the left shall shoot at the faces in column 2, while the athlete on the right shall shoot at the faces in column 4. Each athlete shall shoot their arrows in any order, one at each face.
- 17) Groups shall be assigned to start simultaneously from various targets and shall complete the round at the target before the one at which they started.

### SCORING-FIELD ROUND

- 1) Scoring shall take place after all athletes in the group have shot their arrows. Unless otherwise agreed in the group, the group member with the lowest

## WPFG ARCHERY – 2025 – Page 18

athlete number shall be the group leader and shall be responsible for the conduct of the group. The two athletes with the second and third lowest athlete numbers shall be the scorers and the fourth athlete shall mark the holes if applicable.

- 2) In a group of three, the group leader shall also mark the holes if applicable.
- 3) In Field rounds, the group of athletes shall not leave the target before all holes in the scoring zone are marked.
- 4) Scorers shall enter on the scorecard alongside the correct number of the target, and in descending order if applicable, the value of each arrow as called by the athlete to whom the arrow(s) belong. Other athletes in the group shall check the value of each arrow called. A mistake on the scorecard discovered before the arrows are drawn may be corrected. **(All archers should initial the back of the scorecard, indicating their agreement to the corrections and the target number should also be recorded.)**
- 5) An arrow shall be scored according to the position of the shaft in the target. Should the shaft of an arrow touch two zones or a dividing line between scoring zones, that arrow shall score the higher value of the zones affected.
- 6) None of the arrows shall be touched until all arrows on that target have been recorded and scores checked.
- 7) Should a fragment of a target (face) be missing, including a dividing line (or where two colors meet), if the dividing line is displaced by an arrow, then an imaginary line shall be used for judging the value of any arrow that may hit such a part.
- 8) Arrows embedded in the target and not showing on the face can only be scored by a judge.
- 9) In case of a rebound or pass-through, the scoring shall take place as follows:
  - a. If all of the athletes in that shooting group agree that a rebound or pass-through has occurred, they may also agree on the value of that arrow.
  - b. In Field rounds if they cannot agree on the value of the arrow, the athlete shall be awarded the value of the lowest unmarked arrow hole in the scoring zone.
  - c. If an arrow hits another arrow in the nock and remains embedded, it shall be scored according to the value of the arrow struck.
  - d. If an arrow hits the target after hitting another arrow, it shall be scored as it lies in the target.
  - e. An arrow that hits another arrow then rebounding shall score the value of the struck arrow provided the damaged arrow can be identified.
  - f. An arrow that hits a target face other than the athlete's own target face shall be considered as part of that end and shall score as a miss.

## WCFG ARCHERY – 2025 – Page 19

- g. An arrow that hits outside the outermost scoring zone of the target face shall score as a miss.
- 10) If more than three arrows for Field rounds belonging to the same athlete should be found in the target or on the ground of the shooting lane, only the three lowest arrows shall be scored. Should an athlete be found to repeat this he may be disqualified
- 11) If two or more arrows are shot in the same 20cm target face, they shall be considered as part of that end, but only the arrow with the lower value shall score. The other arrow, or arrows, in the same face shall score as a miss or misses.
- 12) Tied scores are ranked using:
  - a. Greatest number of 5's and 6's
  - b. Greatest number of 6's
  - c. After this, athletes still tied shall be declared equal
- 13) Scorecards shall be signed by the scorer and the athlete, denoting that the athlete agrees with the value of each arrow, the sum (identical on both scorecards), the number of 5's and 6's. The scorer's scorecard shall be signed by another athlete of the same group but of a different Nation/Association.
- 14) The organizers shall not be required to accept or record scorecards that have not been signed, do not contain the sum, the number of 5's or 6's or which contain mathematical errors. The organizers or officials are not required to verify the accuracy of any submitted scorecard, however, if the organizers or officials note an error, they shall correct such error and the result as corrected shall stand. Should a discrepancy be found in the sum, the sum total of the lowest arrow scores shall be used for the final result.
- 15) At the end of the tournament, the Organizing Committee shall publish complete results list

### SHOOTING CONTROL AND SAFETY

- 1) The chairperson of the tournament judges shall be in control of the tournament.
- 2) The chairperson of the tournament judges shall satisfy himself that safety precautions have been observed in the layout of courses and arrange with the organizers for any additional safety precautions they may find advisable before shooting commences.
- 3) They shall address the athletes and officials on the safety precautions and any other matters concerning the shooting that they may judge to be necessary
- 4) Should it become necessary to abandon a competition because of bad weather, loss of daylight or for reasons that would otherwise compromise the safety

## WPFG ARCHERY – 2025 – Page 20

conditions of the courses, such a decision shall be made by the collective decision of the head of the Organizing Committee, the chairperson of judges and the tournament organizer.

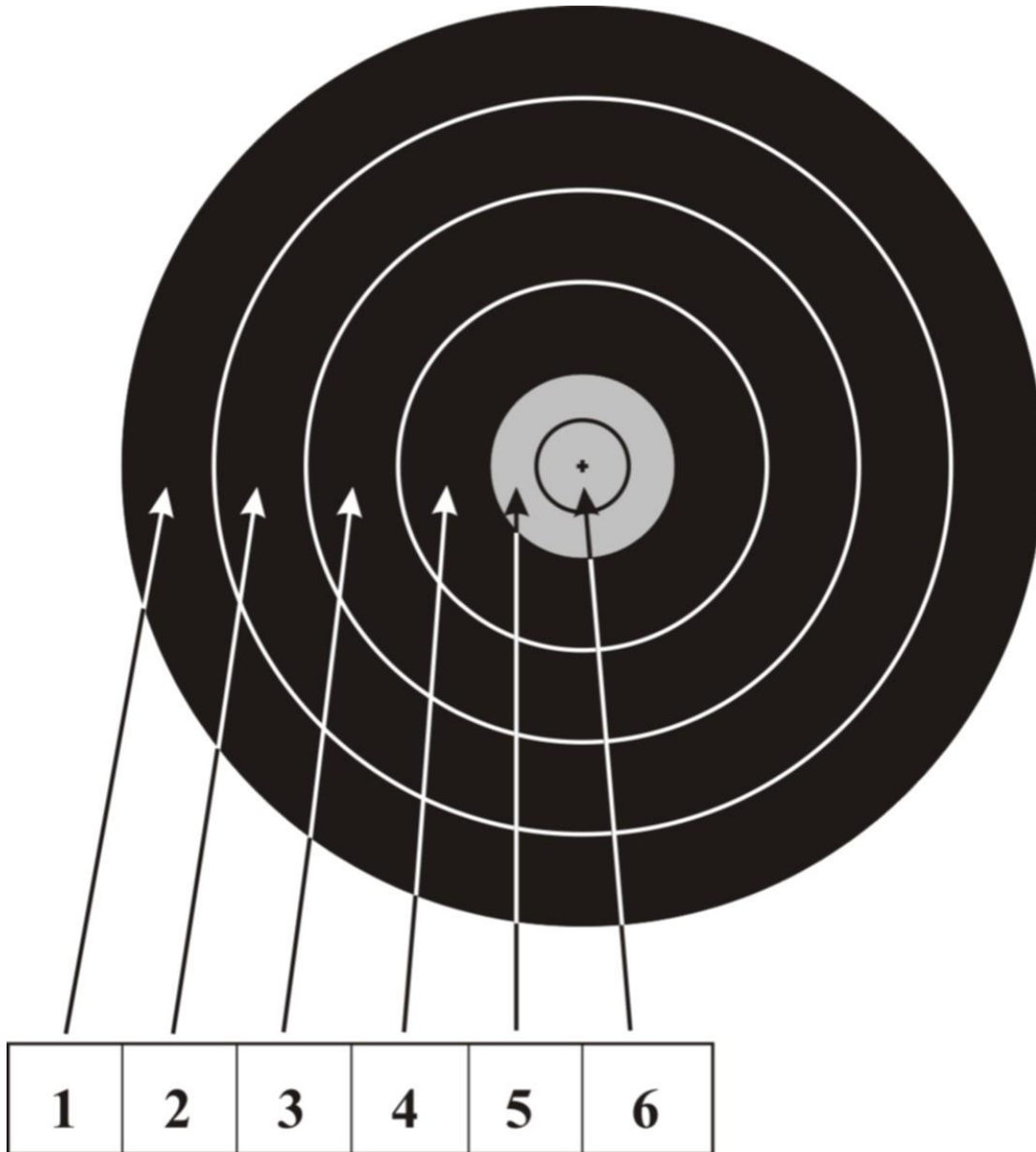
- 5) An acoustic sign to be heard throughout all the courses shall be given out at the start of each competition day and shall also be given when the competition has stopped.
- 6) Should the competition have to be abandoned prior to the completion, the total score of the same targets shot by all athletes in a division shall be used to determine the champions that division.
- 7) The tournament organizing committee reserved the right to re-schedule or amend the tournament format to progress according to the time remaining and conditions of the venues to determine the winners.
- 8) In case of blinding sunshine, protective shade of a maximum size of 8.5"x11" may be provided by the other members of the group or shall be provided by the organizer
- 9) No athlete may touch the equipment of another without the latter's consent.
- 10) No smoking is allowed on the courses, in the practice or warm up areas.
- 11) When drawing back the string of their bow, an athlete shall not use any technique which, in the opinion of the judges, could all the arrow, if accidentally released, to fly beyond a safety zone or safety arrangements. If an athlete persists in using such a technique, he will, in the interest of safety, be asked by any of the tournament judges to stop shooting immediately and to leave the course. The athlete must aim and draw up at the target only.

# WPFG ARCHERY - 2025 - Page 21

## TARGET FACE POSITIONING AND SCORING

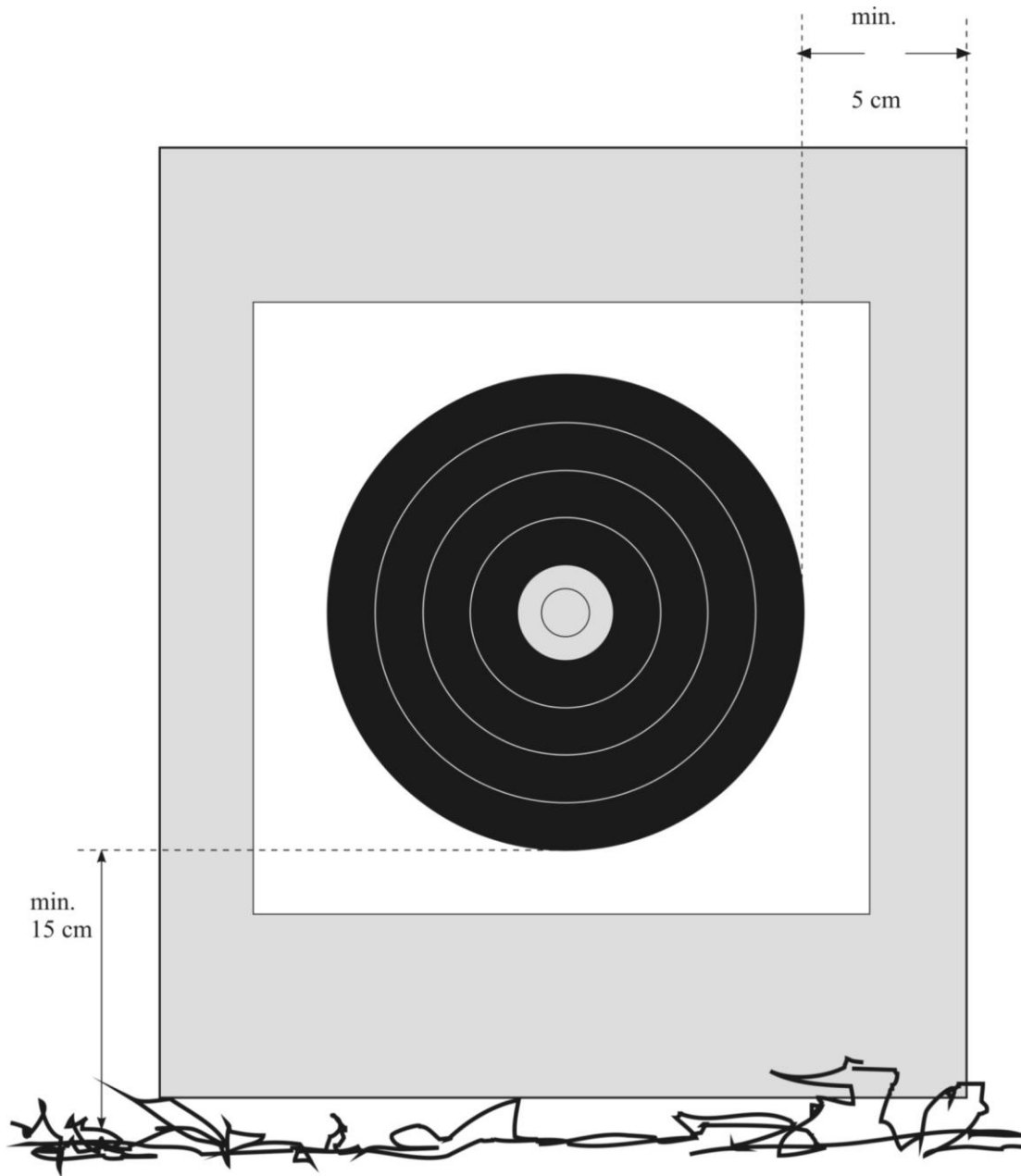
### 1-6 Scoring Zones Target Face

### Scoring Zones - 80 and 60cm Target Face



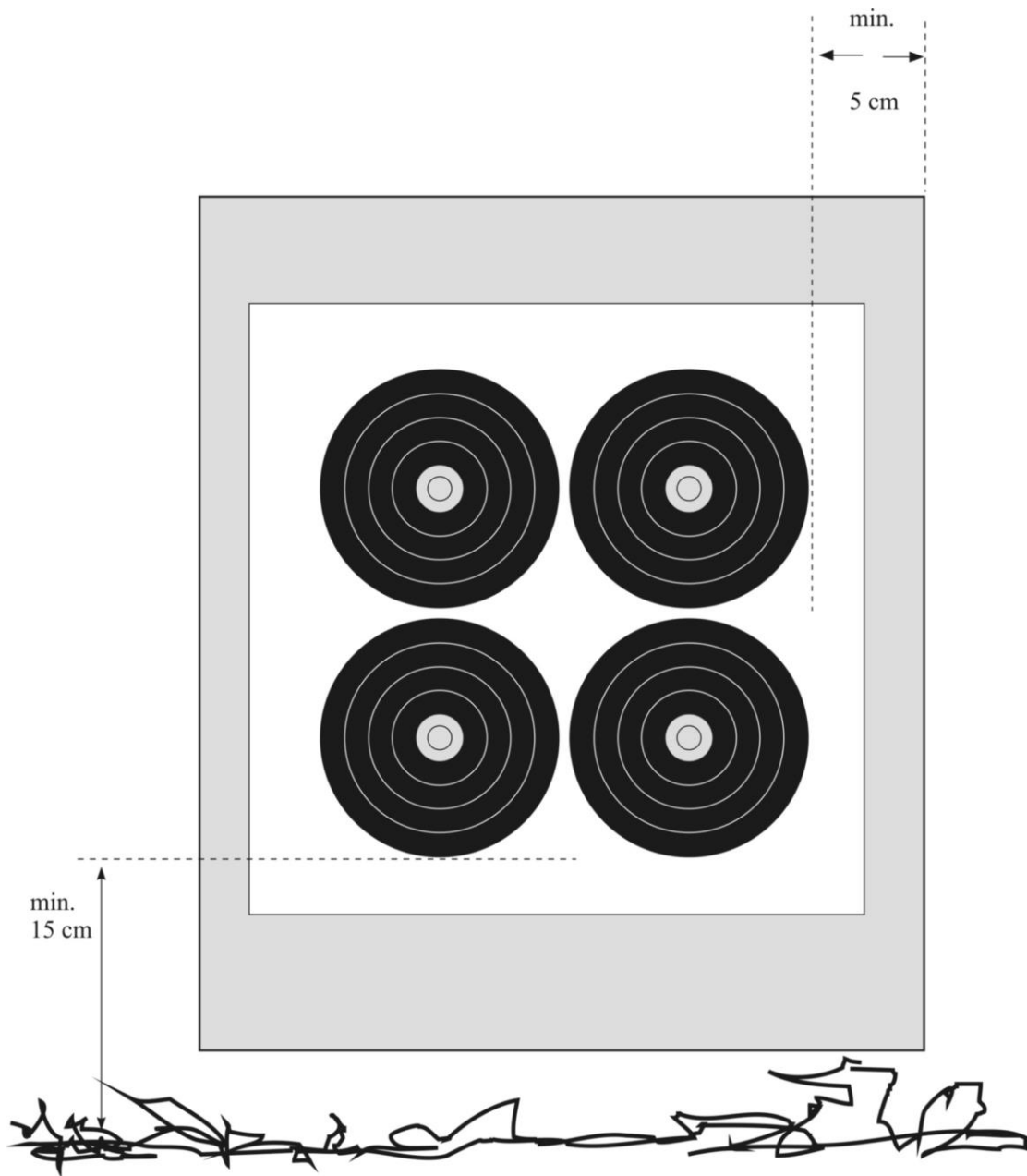
**Target Face Positioning**

**80 and 60cm Target Face**



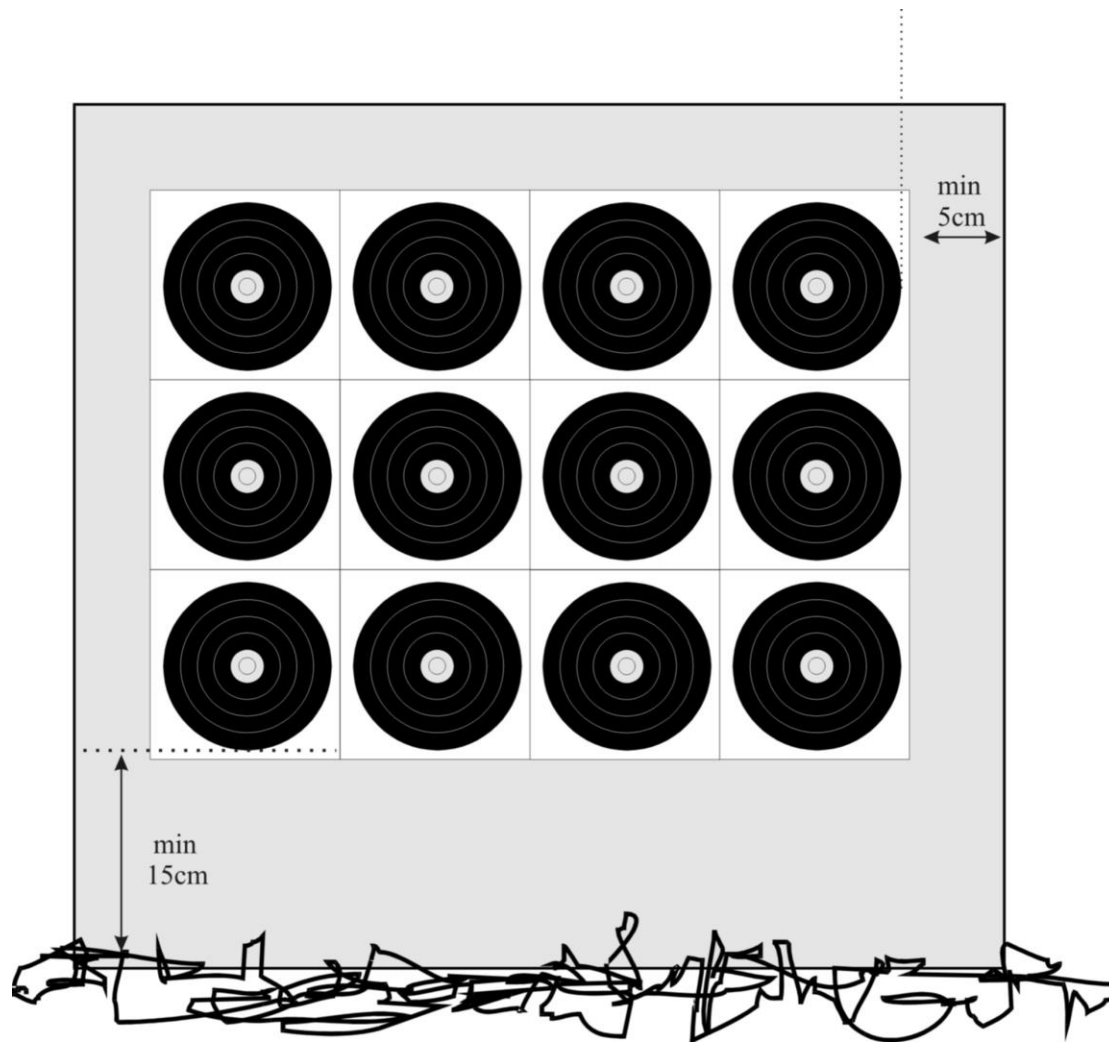
Target Face Positioning

4 x 4 40cm Target Face



Target Face Positioning

4 x 3 Vertical Triple Target Face



# WCFG ARCHERY – 2025 – Page 25

## **3-D COMPETITION**

3-D targets (25); unmarked distance round

1. Each athlete shall shoot from the shooting peg without compromising safety.
2. The organizers shall assign the target at which each will start shooting.
3. In 3-D Rounds, the athlete can stand or kneel up to approximately 1 meter in any direction beside or behind the shooting peg, taking into consideration the condition of the terrain. In exceptional circumstances, a judge may give permission to shoot from outside the defined area.
4. Every shooting position shall have a shooting peg or mark to accommodate at least two athletes.
5. Athletes within a group waiting for their turn to shoot must wait well behind the athletes in the shooting position. (**ATHLETES MUST NOT CROSS THE TARGET WAITING NUMBER.**)
6. Number of arrows to shoot in 3-D Rounds
  - a. One (1) arrow per animal target is allowed in all rounds.
  - b. There will be a maximum of two (2) minutes per target. Time starts when the competitor takes their position at the shooting peg.
7. Use of binoculars in 3-D Rounds
  - a. Athletes may use binoculars to examine the target prior to shooting and at the shooting peg before shooting the arrow. The use of binoculars is allowed after having finished shooting.
8. No athlete may approach the target until all athletes of the group have finished shooting, unless given permission by a judge.
9. Under **NO CIRCUMSTANCES** may an arrow be re-shot. An arrow shall not be considered shot if:
  - a. The athlete can touch the arrow with his bow without moving his feet from their position and provided the arrow has not rebounded.
  - b. The 3-D target falls over. The judges shall take whatever measures they deem necessary and permit time for shooting the relevant number of arrows. If the target or butt only sides down, it shall be left to the judges to decide what action to take, if any.
10. No athlete may disclose the target distance to anybody on unmarked courses during the tournament.
11. There is to be no discussion of distances among the athletes of a group until the target has been scored.

## **ORDER OF SHOOTING & TIMING CONTROL**

1. Should the number of athletes exceed the normal capacity of the course, additional groups may be formed and placed in the field as is convenient.

## WPFG ARCHERY – 2025 – Page 26

Additional groups assigned to a target shall wait until the primary group on that target has shot and scored their arrows before proceeding.

2. Each athlete's number must be displayed prominently on the quiver or thigh and is to be always visible from behind the shooting post while shooting is in progress. Athletes shall be allocated targets and shooting positions according to their order of draw and subsequent placement from the top to the bottom on the start list.
3. In case of equipment failure, the order of shooting may be temporarily changed. In any case no more than 30 minutes shall be allowed to repair any equipment failure. The other athletes in that group must shoot and score their arrows before allowing any following groups to shoot through. If the repair is completed within the time limit, the athlete may make up any arrows remaining to be shot on that target. If the repair is completed later, the athlete may rejoin his group, but will lose the arrows shot in the meantime.
4. In the case of an athlete being unable to continue shooting due to medical reasons occurring after the beginning of the shoot, the same provisions apply.
5. Athletes in a group may allow other groups to shoot through, provided the organizers or judges are notified about the change.
6. When an athlete, or group of athletes, causes undue delay (longer than two (2) minutes allowed) for theirs or other groups, the judge observing will issue the first written warning written on the scorecard after which he or a fellow judge may time the athlete or group throughout the remainder of that round of the competition.
  - a. Having observed an athlete exceed the time limit despite the above procedure, a judge may give a second written warning indicating the time and date of the warning;
  - b. At the third and all subsequent warnings during that stage of the competition, the athlete shall lose the highest scoring arrow at the target.
7. The time limit may be extended in exceptional circumstances.
8. No shooting is permitted after the time limit has expired.
9. If an athlete shoots an arrow after the judge has stopped the shooting, the athlete will lose the highest scoring arrow at the target.
10. Athletes shoot in groups of no more than four, but never fewer than three. Groups should be of even numbers as far as possible.
11. Each group will shoot in pairs, rotating as follows:
  - a. The first pair (with lowest athlete number(s)) start the shooting on the first target assigned to the group.
  - b. The other pair will start shooting at the next target. The pairs then rotate shooting at all subsequent targets throughout the competition.

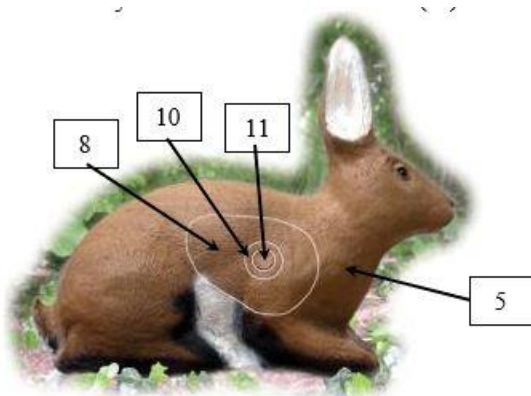
## WPFG ARCHERY – 2025 – Page 27

12. If all athletes of the group agree, they may change the above arrangement, pairing or shooting position.
13. If there are three (3) athletes in a group, the first two athletes on the start list (lowest athlete numbers) will form the first pair. The third athlete will be considered the second pair concerning rotation. They will always shoot from the left side of the shooting peg.
14. Should there be sufficient room at a shooting peg, all athletes in a group may shoot at the same time.
15. Groups will be assigned to start simultaneously from various targets and will complete the round at the target prior to the one they started at.
16. From the entries for each division, the athlete numbers and allocation to groups and to targets will be by draw for men and women separately.
17. The tournament organizer and Director in charge of Archery will decide on special cases.
18. Unless otherwise agreed in the group, the group member with the lowest athlete number will be the group leader and will be responsible for the conduct of the group.
19. When the target is free, the first two athletes of the group at the post with the animal picture will go to the shooting peg as soon as possible. The other members of the group must stay behind at an appropriate distance.
20. It is not allowed for the athletes to walk in the direction of the shooting peg and stand still at a short distance behind the shooting peg estimating the distance prior to shooting.
21. In the shooting group, the athletes with the lowest athlete numbers will start shooting at the first target, followed by the athletes with the next highest numbers, etc.
22. The last one or two athletes of one target will shoot first on the next target assigned to the group and continuing in reverse order.
23. The athletes will rotate in this manner at all subsequent targets throughout the competition.
24. Groups will be assigned to start simultaneously from various targets and will complete the rounds at the target prior to the one at which they began.
25. One minute is the maximum time allowed to shoot one arrow. As soon as one group has cleared the shooting peg, the next group moves from the waiting area to the area with the picture of the animal target to be shot.
26. When the group in front has cleared the target and is assumed to be at a safe distance, the group may go forward from the waiting area to the shooting peg and the first shooter begins. Due to safety reasons and the time limit, the arrow can only be nocked at the shooting peg.
27. The time limit of one minute begins when the athlete arrives at the peg.

## WPMF ARCHERY – 2025 – Page 28

### SCORING 3D ROUND

1. Scoring will take place after all athletes in the group have shot their arrows.
2. Unless otherwise agreed upon by the group, the group member with the lowest athlete number will be the group leader and will be responsible for the conduct of the group.
3. The two athletes with the second and third lowest athlete numbers will be the scorekeepers.
4. Scorekeepers, who can be athletes, will enter on the scorecard alongside the correct number of the target, and in descending order if applicable, the value of each arrow as called by the athlete to whom the arrow belongs. Other athletes in the group will check the value of each arrow called. A mistake on the scorecard discovered before the arrows are drawn may be corrected. (All archers must initial the back of the scorecard indicating their agreement to the corrections and the target number must also be recorded)
5. For 3D rounds, all scoring zones are valid unless otherwise noted at the shooting peg.
6. A 3D animal target is divided into 4 scoring zones (11; 10; 8 and 5)
7. An arrow touching the dividing line between 2 scoring zones, or the borderline of the scoring area will score the higher value.
  - a. 11 points the small circle in the center of the 10-ring (about 25% of the 10-ring zone)
  - b. 10 points the larger circle within the vital area
  - c. 8 points vital area outside the 10 point circle
  - d. 5 points remaining body color zone
  - e. A hit in the horn or hoof, not touching the body color zone, a glance off or any other miss counts as a miss.



8. An arrow will be scored according to the position of the shaft in the target. Should the shaft of an arrow touch two zones or a dividing line between scoring zones, that arrow shall score the higher value of the zones affected.

## WPMF ARCHERY – 2025 – Page 29

9. None of the arrows may be touched until all arrows on that target have been recorded and scores checked.
10. Arrows embedded in the target and not readily showing on the animal can only be scored by a judge.
11. In case of a rebound or pass through, the scoring shall take place as follows:
  - a. If all of the athletes in that shooting group agree that a rebound or pass through has occurred, they may also agree on the value of that arrow;
  - b. In 3D rounds if they cannot agree on the value of the arrow, the arrow will be scored as a miss.
12. An arrow hitting:
  - a. Another arrow in the nock and remaining embedded therein will be scored according to the value of the arrow hit;
  - b. Another arrow and then hitting the target after deflection, will be scored as it lies in the target;
  - c. Another arrow and then rebounding, will be scored the value of the arrow hit, provided the damaged arrow can be identified;
  - d. Outside the outermost scoring area of the 3D target will be scored as a miss
13. A miss is recorded as “M” on the scorecard.
14. If more than one arrow for 3D rounds belonging to the same athlete should be found in the target or on the ground of the shooting lane, only the lowest arrow will be scored. Should an athlete be found to repeat this, they may be disqualified.
15. Tied scores are ranked using:
  - a. Greatest number of 10's & 11's;
  - b. Greatest number of 11's for 3D;
  - c. Any remaining ties will be declared ties.
16. Scorecards must be signed by the scorekeeper and the athlete indicating that the athlete agrees with the value of each arrow, the sum total (identical on both cards), and the number of 10's & 11's. The scorekeepers scorecard must be signed by another athlete of the same group.
17. The organizers are not required to accept or record scorecards that have not been signed, do not contain the sum total, the number of 10's & 11's or those with mathematical errors. The organizers or officials are not required to verify the accuracy of any submitted scorecard if the organizers or the officials note an error, they must correct such error and the result as corrected will stand.
18. Should a discrepancy be found in the sum total, the sum total of the lowest scores will be used for the final result.

## **WPFG ARCHERY – 2025 – Page 30**

19. At the end of the tournament, the Organizing Committee will publish complete result lists.

# WPFGE ARCHERY – 2025 – Page 31

## **AWARDS**

Medals are awarded First through Third Place (1<sup>st</sup>-3<sup>rd</sup>). A maximum of 192 sets of medals will be required for this event. WPFGE will advise you of the number of sets needed based on total entries, plus a reasonable margin.

### **ATTENTION COORDINATORS**

**THE WPFGE GENERAL RULES APPLY TO ALL SPORTS.  
YOU MUST BE FAMILIAR WITH ITS CONTENTS.**

**PRECISE RESULTS MUST BE FORWARDED  
TO THE HOST COMMITTEE IMMEDIATELY FOLLOWING THE  
CONCLUSION OF THIS SPORT**

The WPFGE Director assigned to your sport is knowledgeable and experienced in providing assistance during the preparation and running of the sport. Questions, a detailed accounting of your preparations, and any area requiring approval of the WPFGE shall be submitted in a timely manner to this WPFGE Director.

The WPFGE Directors want to work with you to make your sport a success.

***PLEASE USE THE WPFGE DIRECTORS AS A RESOURCE.***